

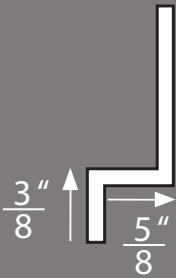


# EXTRUTECH PLASTICS, INC.

Manufactured in the USA

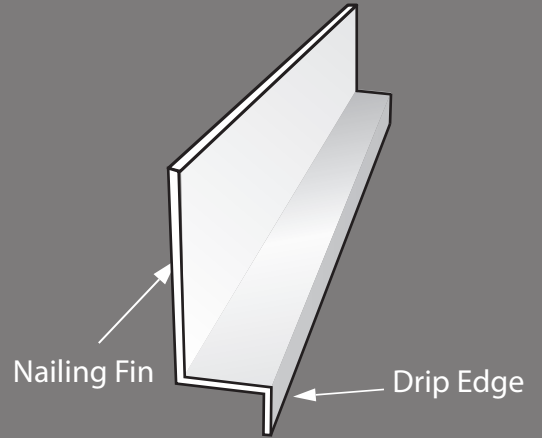
[www.EPIplastics.com](http://www.EPIplastics.com) | 888-818-0118

## Drip Edge #P0260

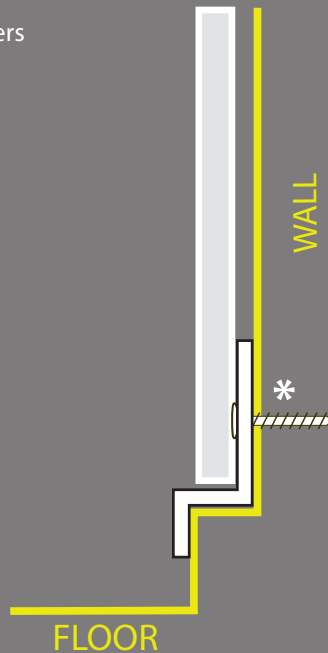


### INSTALLATION DETAILS

Cut with standard power saw using a fine-toothed blade.



\* Fasteners by others



Gap fasteners 1/32" from top of nailing fin to allow for panel expansion

### FASTENER OPTIONS

(Provided by others)

FOR MASONRY:

TAPCON screws 3/16" x 1-1/4"  
FLAT HEAD with 1/4" stainless washers

FOR WOOD :

1-1/4" NO. 8 Truss Head  
Sheet Metal Screws

FOR METAL:

3/4" NO. 8 Truss Head  
Sheet Metal or Tek Screws

CONSTRUCTION ADHESIVE:

Tremco products in limited applications



# EXTRUTECH PLASTICS, INC.

Manufactured in the USA

[www.EPIplastics.com](http://www.EPIplastics.com) | 888-818-0118

**DELIVERY** - Deliver materials to work area in manufacturer's original, unopened containers and packaging, with labels clearly identifying product name and manufacturer.

**STORAGE** - Store materials flat inside, in original packaging, in a clean, dry area indoors.

- Store inside on a flat surface the entire length of product
- Remove Banding to prevent bowing
- Do not store in temperatures exceeding 120 degrees
- Do not store outside on blacktop
- Do not stack pallets of materials on top each other
- Do not store outside, under dark tarps, or in closed metal storage units or trailers
- Do not store where objects may fall onto products

**HANDLING** - Protect materials during handling to prevent damage. Keep materials in poly-bags until ready to use.

## GENERAL NOTES –

Wear safety glasses!

Cut with powered miter saw with fine tooth blade. Sometimes you may find that panels cut nicely when you put your saw blade on backwards or use a vinyl blade. Try on a piece of scrap panel first to see the result of that cut. Cut through product slowly, don't rush.

Temperature is a factor when working with vinyl. Warm weather is no problem but cold temperatures can create some issues. PVC materials have a heat distortion threshold of 120 degrees Fahrenheit.

**DO NOT USE** - Staples or Nails. They will not hold this product. Nail guns will blow the fastener through the nailing fin, cracking it and leaving little or no holding power. Each panel should be screwed every 16" along the nailing fin. NEVER go beyond 24" without a fastener and fasten the ends all trims and panels, along the nailing fin, to the building structure.

Keep screw head above top of the nailing fin. Do not recess the screw head into the nailing fin. The nailing fin should lay flat against the surface, not deformed around the screw head. When using a truss head screw for metal and wood framing, no washer is necessary.

## WARRANTY NOTE –

Our warranty *does not* cover distorted panels because of excessive heat due to improper installation and operation of heaters, radiant floor heat & furnaces in areas using our PVC panels. Please contact EPI if you have any questions about your project.